

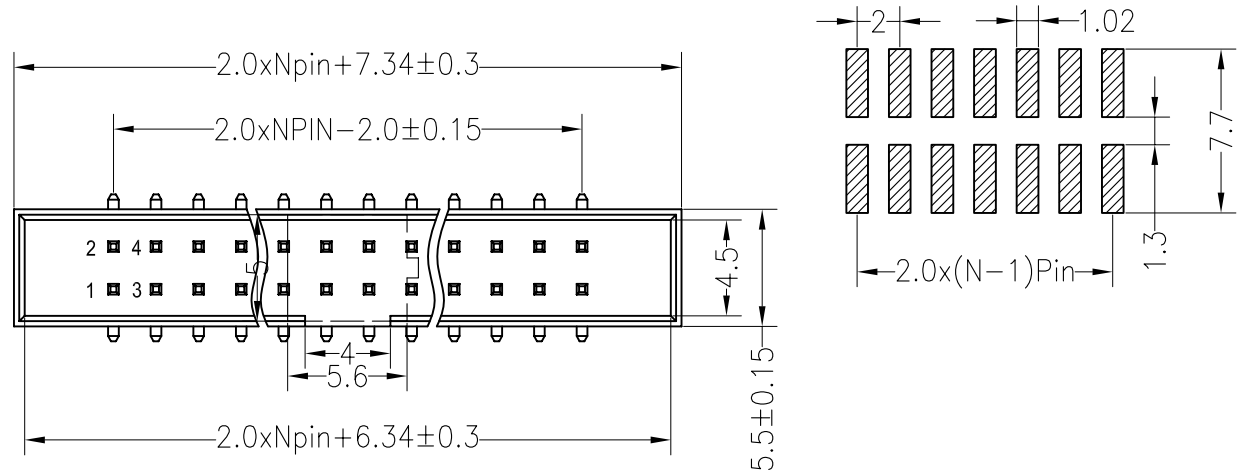


SPECIFICATIONS

Rated Current:1.5AMP
 Contact Resistance:20mΩ Max
 Withstand Voltage:400V AC/DC
 Insulation Resistance:800MΩ Min
 Operation Temperature:-40°C to +105°C

Contact Material:Brass
 Contact Plating:Au or Sn Over Ni
 Insulator Material:Polyester(UL94V-0)
 Standard: PA6T
 Max.Processing Temp: 230°C for 30-60 seconds
 (260°C for 10 seconds)

Recommended P.C.B Layout(Top Side)
 (PCB BOARD TOLERANCE±0.05)



Ordering Information

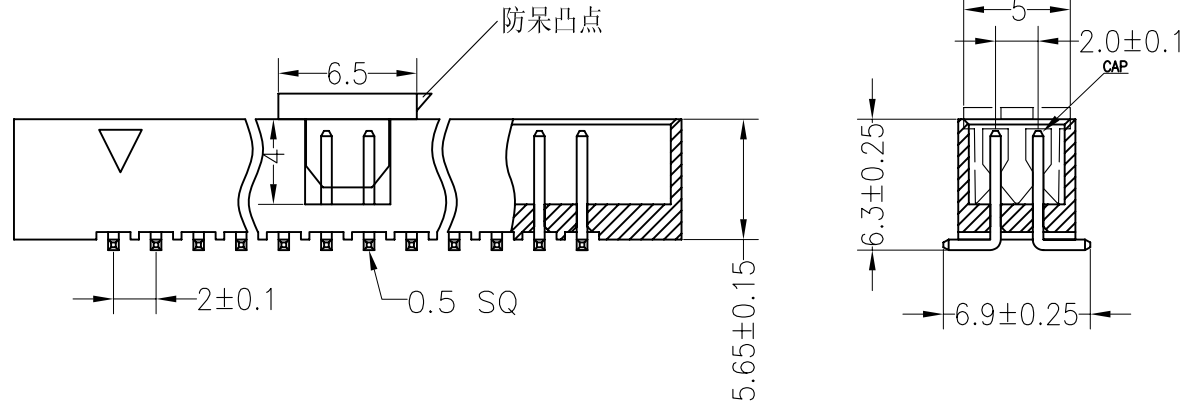
3220- XX M XX X B K00 X 01

No.of Pins Per Row
6--64

Contact Plating
 G0:Gold Flash
 G2:3U" Gold
 G2:5U" Gold
 G3:10U" Gold
 G4:15U" Gold
 G5:30U" Gold
 S0:Gold Flash/Tin
 SN:Tin

Insulator Material Option
 A=BK-PBT
 B=BK-PA66
 C=BK-PA6T
 D=BK-PA46
 F=BK-LCP

Packing
 0=PE Bag
 A=Tray
 T=Tube
 P=Tube+Cap



JILN 深圳市锦凌电子有限公司
 SHENZHEN JINLING ELECTRONIC CO.,LTD
 Tel: 86-755-2997-5806/5802 Fax: 86-755-2997-5992

		OPERATION		DRAW	YiYuSheng	12.03.28	SCALE	FIT
		X.X	±0.30				UNIT	mm
		CHECK		APPROVE			SIZE	A4
		X.XXX	±0.10				SHEET	1/1
A0	2012.03.28	NEW DRAWING		APPROVE			PROJ.	◆ □
REV	DATE	MODIFICATION DESCRIPTION					CHANGE	DIM

PART NO.	3220-XXMXXBK00X02
TITLE:	2.0Box Header Npin H5.65 SMT 带夹持盖